

REHAU[®]

GERMANY

Hot and Cold Water Piping System

KNOW HOW

for water



The last
water piping
system
you'll
ever need.



Technical Manual

Description **Dimension** **Article No.**

**PE-XA Pipe (Coated)
Straight / Coil**



16mm x 2.2mm x 100m	139140
20mm x 2.8mm x 100m	139150
25mm x 3.5mm x 25m	139160
32mm x 4.4mm x 25m	139170
40mm x 5.5mm x 5m	136521
50mm x 6.9mm x 5m	136531
63mm x 8.7mm x 5m	136541

Description **Dimension** **Article No.**

Coupler, Reduced



20 - 16	257356
25 - 16	257376
25 - 20	257366
32 - 25	139071
40 - 32	137393
50 - 32	137863
50 - 40	137843
63 - 50	137853

Adapter with External thread



16 x R 1/2	259485
16 x R 3/4	139451
16 x R 1	139892
20 x R 1/2	259495
20 x R 3/4	257346
20 x R 1	139902
25 x R 3/4	259505
25 x R 1/2	139181
25 x R 1	257336
32 x R 1	139051
32 x R 3/4	139081
40 x R 1 1/4	139691
50 x R 1 1/2	139711
50 x R 1 1/4	139701
63 x R2	139721

**Wall Mounted Elbow
with Internal Thread**



16 x Rp 1/2 long	138441
20 x Rp 1/2 long	138451
16 x Rp 1/2 short	138461
20 x Rp 1/2 short	138471
20 x Rp 3/4 short	139191
25 x Rp 3/4 short	138591

**Wall Mounted Elbow
with External Thread**



16 x R 1/2	138481
20 x R 1/2	138491
20 x R 3/4	138501

Adapter with internal thread



16 x Rp 1/2	259515
20 x Rp 1/2	259525
25 x Rp 1/2	139281
25 x Rp 3/4	259535
32 x Rp 1	139091
32 x Rp 3/4	139101

Wall Mounted T-piece



16 x Rp 1/2 x 16	138841
20 x Rp 1/2 x 20	138851

Elbow 90°



16	139461
20	139471
25	139481
32	137413
40	139872
50	139882
63	137873

**Elbow Adapter
with External Thread**



16 x R 1/2	139491
20 x R 1/2	139501
25 x R 3/4	139511
32 x R 3/4	137423
32 x R 1	137433

Coupler Uniform




16	259455
20	259465
25	259475
32	139061
40	139731
50	139741
63	139751


Elbow 45°



40	139862
50	137094
63	137104


Description	Dimension	Article No.
Pipe Bend Bracket 45° 	16	139121
	20	139131
	25	139911
	32	138921


Description	Dimension	Article No.
Pipe Bend Bracket 90° 	16	138881
	20	138891
	25	138351
	32	138641


Description	Dimension	Article No.
Adapter with Movable Internal Thread 	20 x G 1/2	139561
	25 x G 3/4	139912
	32 x G 1	139932


Description	Dimension	Article No.
Compression Sleeve 	16	259605
	20	259615
	25	259625
	32	139111
	40	139761
	50	139771
	63	139781

Description	Dimension	Article No.
End Plug 	20	243253
	16	137793


Description	Dimension	Article No.
T-piece Outlet with Internal Thread 	25 x Rp 3/4 x 25	258206
	32 x Rp 3/4 x 32	138991
	32 x Rp 1 x 25	139001
	32 x Rp 1 x 32	138981
	40 x Rp 1 x 32	139842
	40 x Rp 1 x 40	139802
	40 x Rp 1 1/4 x 32	137145
	40 x Rp 1 1/4 x 40	137135
	50 x Rp 1 x 50	139812
	50 x Rp 1 1/4 x 40	139852
	50 x Rp 1 1/4 x 50	139822
	63 x Rp 1 x 63	139832

Description	Dimension	Article No.
T-piece uniform 	16 x 16 x 16	259335
	20 x 20 x 20	259345
	25 x 25 x 25	259355
	32 x 32 x 32	138941
	40 x 40 x 40	137073
	50 x 50 x 50	137155
	63 x 63 x 63	137165

Description	Dimension	Article No.
T-piece Reduced Connecting Passage 	20 x 20 x 16	259395
	25 x 25 x 16	259405
	25 x 25 x 20	259415
	32 x 32 x 20	139972
	32 x 32 x 25	139992

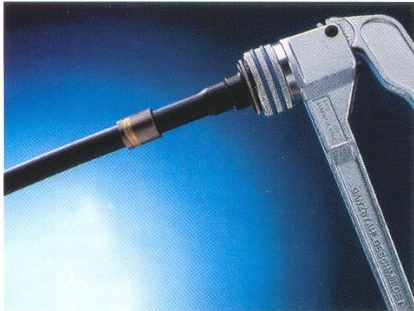
Description	Dimension	Article No.
T-piece, Reduced Outlet and Connecting Passage 	20 x 16 x 16	259425
	25 x 16 x 16	257266
	25 x 16 x 20	259435
	25 x 20 x 16	258196
	25 x 20 x 20	259445
	32 x 25 x 25	138961
	32 x 25 x 20	139952
	32 x 20 x 20	139982
	40 x 32 x 32	137064
	50 x 32 x 40	137195

Description	Dimension	Article No.
T-piece Expanded Outlet 	16 x 20 x 16	257296
	16 x 25 x 16	257306
	20 x 25 x 16	257316
	20 x 25 x 20	257326
	20 x 32 x 20	139962
	25 x 32 x 25	138971

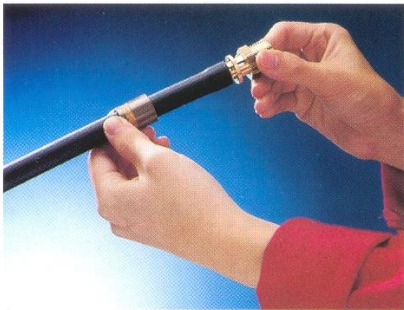
Description	Dimension	Article No.
T-piece Reduced Outlet 	20 x 16 x 20	259365
	25 x 16 x 25	259375
	25 x 20 x 25	259385
	32 x 20 x 32	139942
	32 x 25 x 32	138951
	40 x 25 x 40	139772
	40 x 32 x 40	139782
	50 x 32 x 50	139792
	63 x 40 x 63	137074
	63 x 50 x 63	137084

The REHAU HIS 311 compression sleeve fitting system for domestic plumbing - a step in the right direction

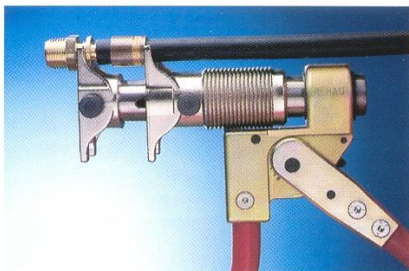
How to proceed:



The compression sleeve is pushed onto the pipe and the end is expanded using the REHAU tool.



The expanded end of the pipe is pushed onto the lining spigot of fitting.

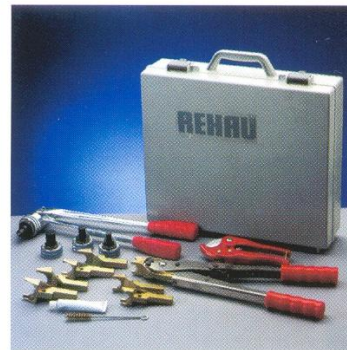


The compression sleeve is forced up to the shoulder of the fitting using the REHAU tool. The permanent joint is complete.

Equipping you for all situations

The tools supplied in a practical case, allow quick and reliable on-site installation.

Supplied complete with a hexagonal screwdriver for attaching the wall-mounted elbows and a pipe cutter for neatly cutting the pipes to the correct length.



Pipe fitting clamp for 16, 20,25 and 32 mm plumbing sizes



Expander for 40, 50 and 63 mm plumbing sizes

O T T I L I E

MARKETING, INCORPORATED

G/F Unit 102, #221 D. Tuazon St. Cor. Sta. Catalina St., Quezon City, Philippines

Tel. No: 740-1064 / 740-1065 Fax No: 740-0046

Email: ottilie_rehaueb@yahoo.com

Cebu : Branch 212 T. Padilla St. Cebu

Telefax: 032-254-3015